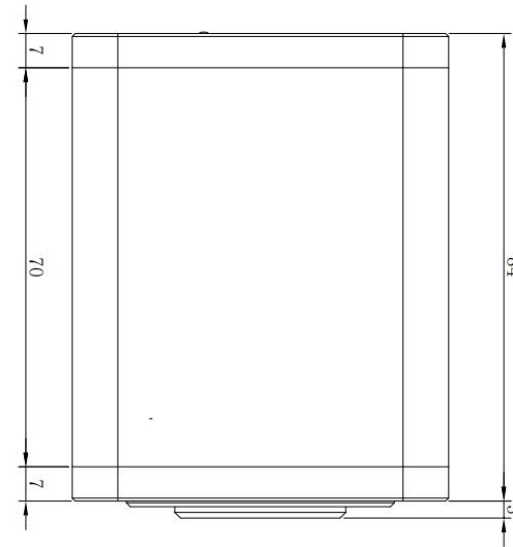
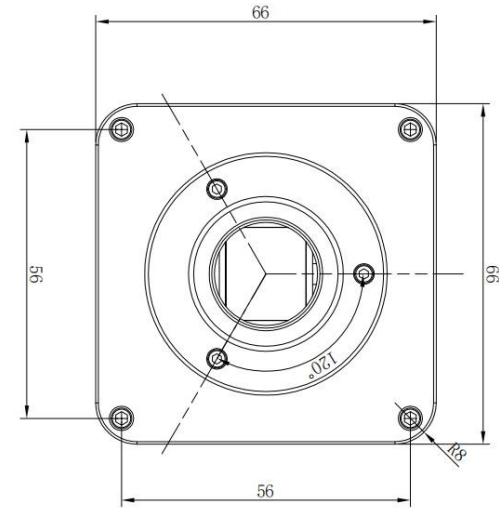
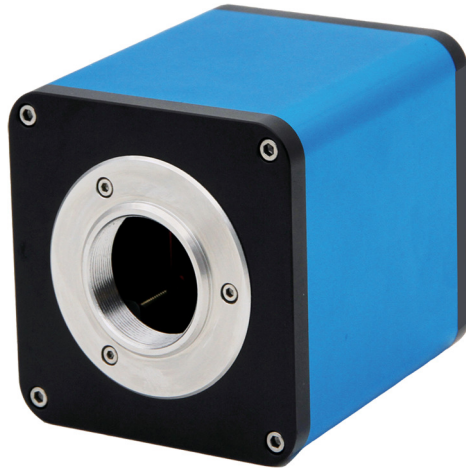
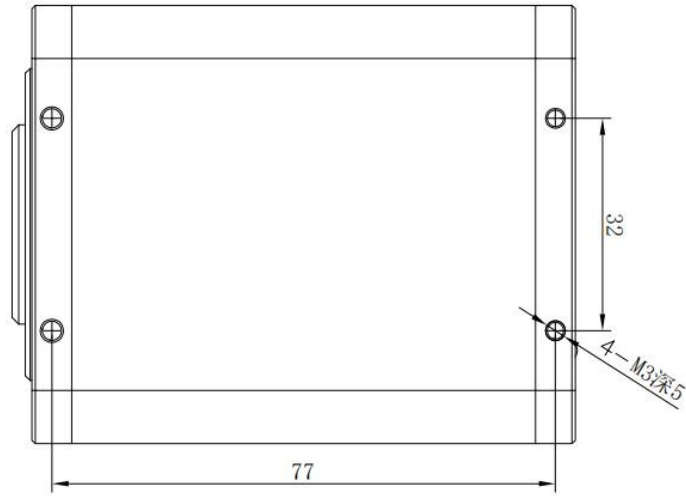


Eert C314 Datasheet

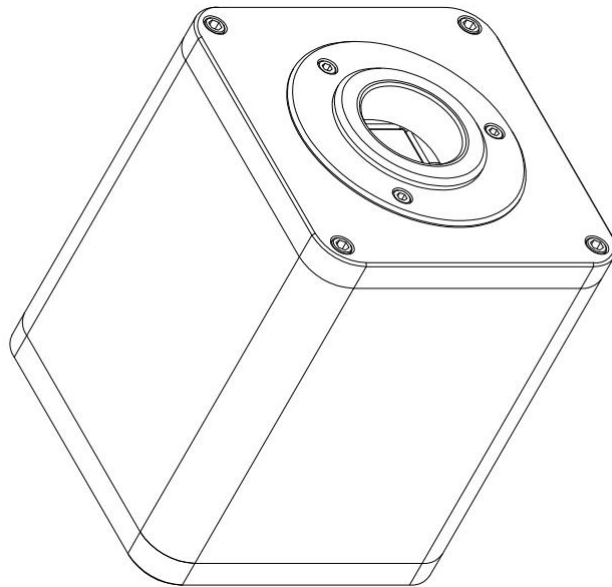
1. Physical Dimensions





2. Introduction To Camera Interface

1. Mode switching
2. USB3.0 port
3. HDMI
4. USB2.0 port
5. LED pilot lamp
6. LAN port
7. 12V power interface
8. I/O port



3. I/O Needle Foot Definition Table

Signal	I/O Type	Instruction
12V	Input	+12V direct-current main
Opt-Iso In	Input	Light-coupled isolation input
GPIO	Input or Output	Can be configured as an input or an output
Opt-Iso Out	Output	Optical coupling isolation output
I/O Ground	Input	Signal ground
GND	Input	Power ground

4. Camera Matching Device

1. Front-end component: C-Mount Microscope or C-Mount Lens.

2. Back-end component: With HDMI support 1080P @ 60Hz or 1080P @ 50Hz display.

5. Camera Installation Information

- 1、 Connect C314 camera with C-mount lens.
- 2、 Use HDMI/USB /Netting Twine cable to connect the monitor with camera.
- 3、 Connect mouse.
- 4、 Use appropriate power supply.

6. Technical Specifications

Product Model	C314
Focus Mode	Auto Focus
Image Sensor	Colour CMOS
Pixel	12 M pixels
Pixel Size	1/1.7"
Menu	All-digital UI design
Method of Operation	Mouse/PC
Lens Interface	C-type
Power DC	DC12V
Output Method	HDMI/USB/LAN
White Balance	Auto / Manual
Exposure	Auto / Manual
Display Frame Rate	HDMI: 4k@60fps/1080p@60fps USB: 12m@20fps/1080p@60fps LAN: 12m@30fps/1080p@60fps
Scanning Method	Line by Line Scanning
Shutter Speed	1/30s~1/10000s
Operating Temperature	0°C~50°C
Saving Function	Support USB disk storage/PC storage/camera internal storage

7. Precautions

1、 Use only DC12V power supply.

*All accessories as per the material subjects.